



**Emergency  
Lighting  
Products**

## 20W CONSTANT POWER LED EMERGENCY DRIVER ELP20-2455-UNV-1C



### PRODUCT DESCRIPTION

The high-efficiency performance of the Hatch **ELP20-2455-UNV-1C** LED Emergency Driver meets California Energy Commission (CEC) Title 20 efficiency requirements and is certified in the CA Title 20 Appliance Efficiency Database. Hatch **ELP20-2455-UNV-1C** allows an LED lighting fixture to be used for normal and emergency operation. In the event of a power failure, the **ELP20-2455-UNV-1C** switches to emergency mode and operates the existing fixture for a minimum of 90 minutes. All of the LED Emergency Drivers in the Hatch line include a test switch with integrated charge indicator and are UL Listed for field or factory installation.

### APPROVALS / CERTIFICATIONS



### BENEFITS

- Certified in CA TITLE 20 Appliance Efficiency Database
- Integrated, energy efficient LiFePO<sub>4</sub> Battery
- UL Listed for field and factory installation
- For use with emergency only fixtures as well as new and existing fixtures

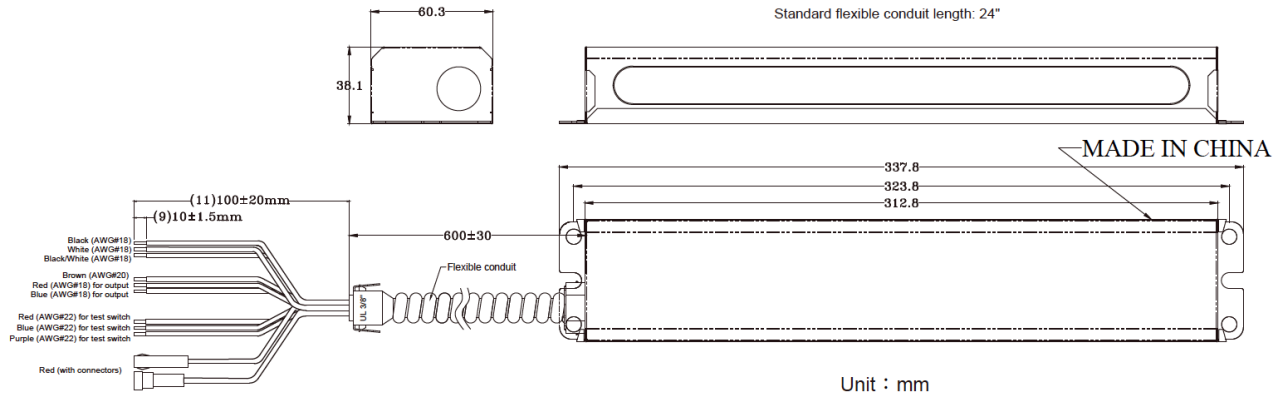
### SPECIFICATIONS

Input Voltage	120-277VAC ± 10%
Frequency	50/60Hz
Output Voltage	24-55VDC Class 2
Output Current	833mA @ 24V DC 363mA @ 55V DC
Output Power	20W (Constant)
Power Factor	>0.5
Emergency Operation	90 Minutes
Recharge Time	24 Hours
Operating Ambient Temp.	0 to 55°C
Turn on Delay	<1s
Case Material	Metal
Battery	LiFePO <sub>4</sub>
Storage Temp	-20 to +55 deg. C
EMI	FCC, 47CFR Part 15
Protections	Over Voltage, Short Circuit, Over Current (Hiccup with Auto Recovery)

Product specifications are subject to change without notice.

### FEATURES

- UL 924 LISTED for US and Canada
- Class 2 Compliant
- UL Listed for field and factory installation
- Integral, energy efficient LiFePO<sub>4</sub> battery
- Includes test switch and integrated charge indicator
- For use with switched or unswitched fixtures
- 5-Year Warranty
- Meets requirements for CEC Compliance
- Suitable for damp locations
- Includes installation guide and luminaire modification label
- For use with surface mounts or recessed type IC or non-IC products listed to UL standards.

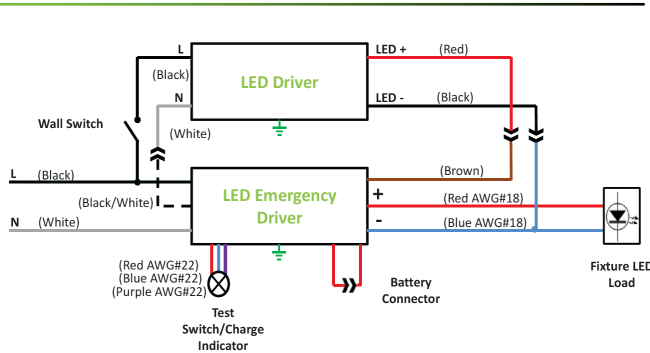


<b>Length</b>	13.3in (337.8mm)	<b>Width</b>	2.4in (60.3mm)
<b>Height</b>	1.5in (38.1mm)	<b>Mounting</b>	12.7in (323.8mm)

WIRING INFORMATION

<b>Input</b>	4", Black(L), White (N) #18AWG
<b>Output</b>	4", Red(+), Blue (-) #18AWG
<b>LED Driver (N)</b>	4", Black/White #18AWG
<b>LED Driver (+)</b>	4", Brown, #20AWG
<b>Battery Connection</b>	4", Red, Red #18AWG
<b>Test Switch Connections</b>	4", Red, Blue, Purple #22 AWG

WIRING DIAGRAM



For additional wiring diagrams please visit <https://www.hatchlighting.com/elp-alternate-wiring-diagrams>

PACKAGING INFORMATION

<b>Package Weight</b>	2.2 lbs		
<b>Quantity</b>	8 pc/carton		
<b>INCLUDES</b>			
LED Emergency Driver	1	Tek Screws	2
Wall Plate	1	Test Button	1
Luminaire Mod. Label	1	Install. Guide	1
Screw Wire Connectors	3	Wall Plate Screws	2

TEST SWITCH

