



**Emergency  
Lighting  
Products**

## 10W CONSTANT POWER LED EMERGENCY DRIVER ELP10-2060-UNV-1C



### PRODUCT DESCRIPTION

The high-efficiency performance of the Hatch **ELP10-2060-UNV-1C** LED Emergency Driver meets California Energy Commission (CEC) Title 20 efficiency requirements and is certified in the CA Title 20 Appliance Efficiency Database. Hatch **ELP10-2060-UNV-1C** allows an LED lighting fixture to be used for normal and emergency operation. In the event of a power failure, the **ELP10-2060-UNV-1C** switches to emergency mode and operates the existing fixture for a minimum of 90 minutes. All of the LED Emergency Drivers in the Hatch line include a test switch with integrated charge indicator and are UL Listed for field or factory installation.

### APPROVALS / CERTIFICATIONS



### BENEFITS

- Certified in CA TITLE 20 Appliance Efficiency Database
- Integrated, energy efficient LiFePO<sub>4</sub> Battery
- UL Listed for field and factory installation
- For use with emergency only fixtures as well as new and existing fixtures

### SPECIFICATIONS

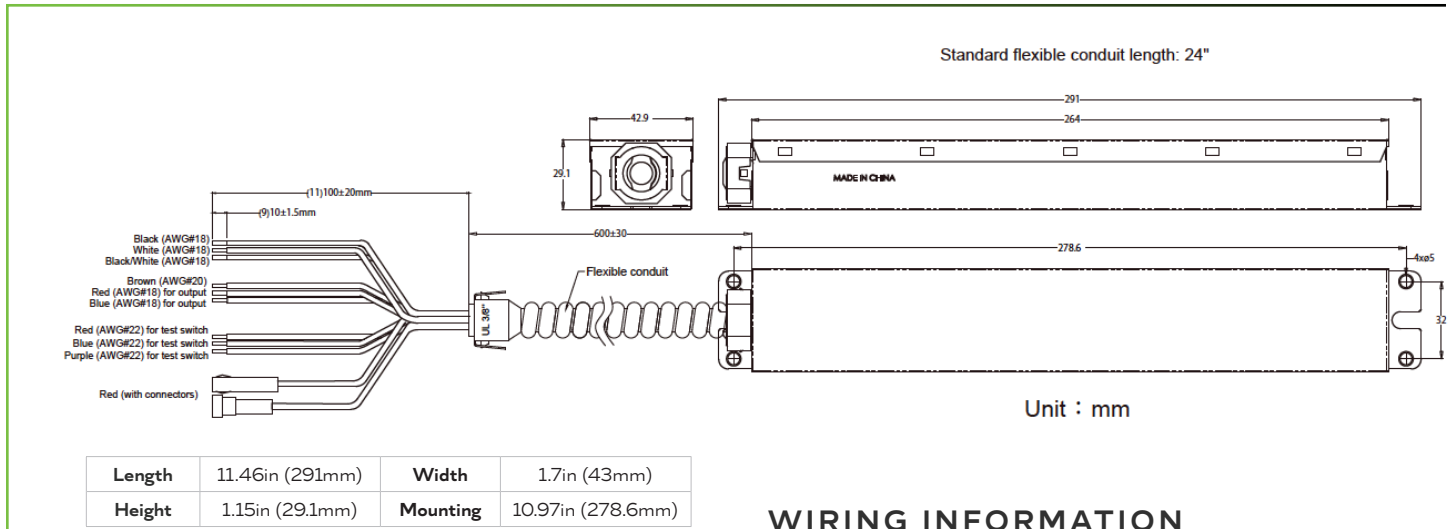
<b>Input Voltage</b>	120-277VAC ± 10%
<b>Frequency</b>	50/60Hz
<b>Output Voltage</b>	20-60 VDC* Class 2
<b>Output Current</b>	518mA @ 20V DC 179mA @ 58V DC
<b>Output Power</b>	10W (Constant)
<b>Power Factor</b>	>0.5
<b>Emergency Operation</b>	90 Minutes
<b>Recharge Time</b>	24 Hours
<b>Operating Ambient Temp.</b>	0 to 55°C
<b>Turn on Delay</b>	<1s
<b>Case Material</b>	Metal
<b>Battery</b>	LiFePO <sub>4</sub>
<b>Storage Temp</b>	-20 to +55 deg. C
<b>EMI</b>	FCC, 47CFR Part 15
<b>Protections</b>	Over Voltage, Short Circuit, Over Current (Hiccup with Auto Recovery)

\*The output power is valid for output voltage less than or equal to 58V, above that power will drop.

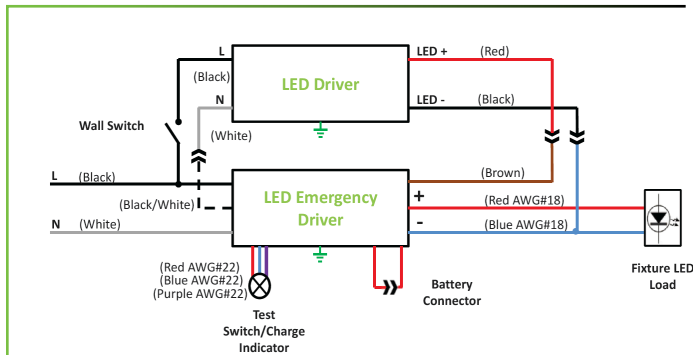
Product specifications are subject to change without notice.

### FEATURES

- UL 924 LISTED for US and Canada
- Class 2 Compliant
- UL Listed for field and factory installation
- Integral, energy efficient LiFePO<sub>4</sub> battery
- Includes test switch and integrated charge indicator
- For use with switched or unswitched fixtures
- 5-Year Warranty
- Meets requirements for CEC Compliance
- Suitable for damp locations
- Includes installation guide and luminaire modification label
- For use with surface mounts or recessed type IC or non-IC products listed to UL standards.



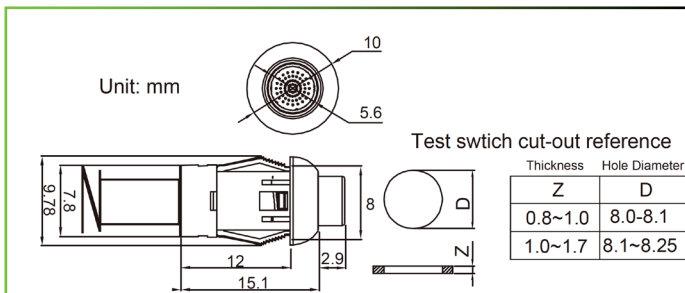
WIRING DIAGRAM



WIRING INFORMATION

<b>Input</b>	4", Black(L), White (N) #18AWG
<b>Output</b>	4", Red(+), Blue (-) #18AWG
<b>LED Driver (N)</b>	4", Black/White #18AWG
<b>LED Driver (+)</b>	4" Brown, #20AWG
<b>Battery Connection</b>	4", Red, Red #18AWG
<b>Test Switch Connections</b>	4", Red, Blue, Purple #22 AWG

TEST SWITCH



PACKAGING INFORMATION

<b>Package Weight</b>	3.06 lbs		
<b>Quantity</b>	8 pc/carton		
<b>INCLUDES</b>			
LED Emergency Driver	1	Tek Screws	2
Wall Plate	1	Test Button	1
Luminaire Mod. Label	1	Install. Guide	1
Screw Wire Connectors	3	Wall Plate Screws	2