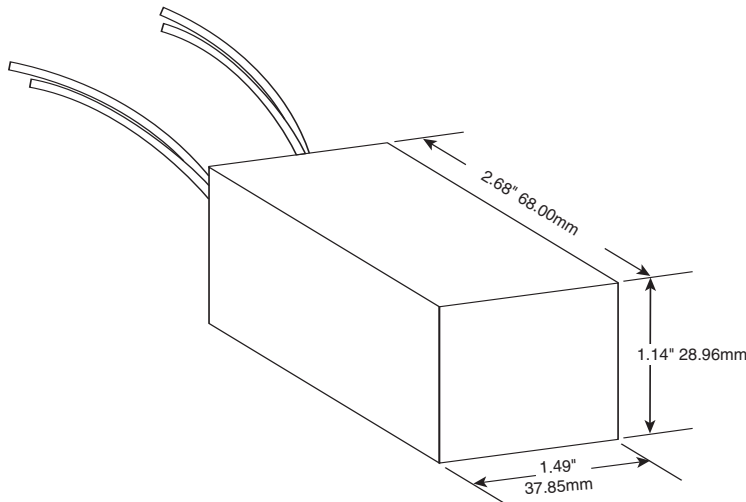


HATCH™

60 & 75 WATT "V" SERIES ELECTRONIC TRANSFORMER



VS



Note: VS style 60 and 75 Watt Transformers are provided with UL approved high temperature 3M double sided tape for adhering transformer to enclosure.

Hatch Lighting, Inc.
7821 Woodland Center Boulevard • Tampa, FL 33614
Ph: 813-288-8006 • Fax: 813-288-8105
www.HatchLighting.com

Electronic Low Voltage Transformer:

- High Reliability
- Moisture and Shock Resistant
- Emits No Audible Noise
- Low Harmonic Distortion
- High Power Factor
- Lightweight, Compact Design
- Works with most commercially available dimmers. Hardwire electronic dimmers are recommended for optimum performance

Environmental Specifications

Maximum Case Temperature	80°C
Sound Rating	A+
Operating Humidity	95% relative humidity, non-condensating
Environmental Protection	Epoxy Sealed for moisture resistance and shock vibration resistance

Electrical/Mechanical Specifications

Enclosure Material	UL
.....	Flame Retardant,
.....	High Temperature, Engineering Resin
Color	Black
Weight	4 oz.
Power Factor	> 0.95
Operating Frequency	25 KHz
Total Harmonic Distortion	≤ 20%
Safety Standard	cULus
.....	(Class 2-up to 60 Watt only)
Input Leads	6", 18AWG stranded,
.....	105 degree C stripped 3/8" tinned
Output Leads	6", 18AWG stranded,
.....	105 degree C stripped 3/8" tinned

Soft Start Circuitry

All models of Hatch low-voltage transformers utilize a soft start circuitry to maximize lamp life. The soft start circuit ramps up the lamp filament voltage slowly when the lamp is cold.

Electronic Short-Circuit Protection

All Hatch low-voltage transformers employ our (ESP) Electronic Short Circuit and over load Protection. The ESP sensing circuit will instantly shut down the output before any of the components are stressed if a short circuit or over load is detected. The transformer will automatically reset as soon as the fault is corrected.



VS STYLE 60 AND 75 WATT ELECTRONIC TRANSFORMERS

H A R D W I R E E L E C T R O N I C

Max Watts	Min Watts	Input Volts	Output Volts	Input Amps	Output Amps	Wiring Dia.	Hatch Item No.	Safety Listing
60	10	120	11.5	0.52	5.2	A	VS1260WNW	UL/C-UL Recognized, Class 2
						B	VS1260WD*	
		230	11.5	0.26	5.2	A	VE1260W	None
						B	VE1260WD*	
75	10	120	11.5	0.63	6.25	A	VS1275W	UL/C-UL Recognized
						B	VS1275WD*	
		277	11.5	0.27	6.25	A	VJ1275W	None
						A	VE1275WD	
230	11.5	0.27	6.25	A	VE1275WD	None		
				A	VE1275WD			

* Must use a minimum of 20 watts when using a dimmer.

WIRING DIAGRAMS

DIAGRAM A

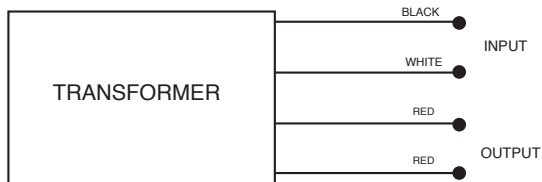
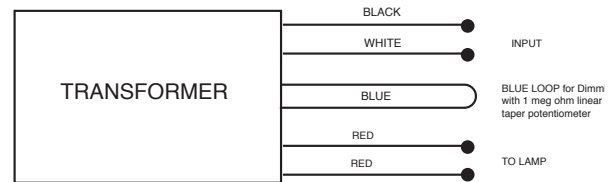


DIAGRAM B



* WD models have dimming loop for use with 1 meg ohm potentiometer versus line side dimmer controls

Hatch Lighting, Inc.
7821 Woodland Center Boulevard • Tampa, FL 33614
Ph: 813-288-8006 • Fax: 813-288-8105
www.HatchLighting.com

Specifications subject to
change without notice.
810