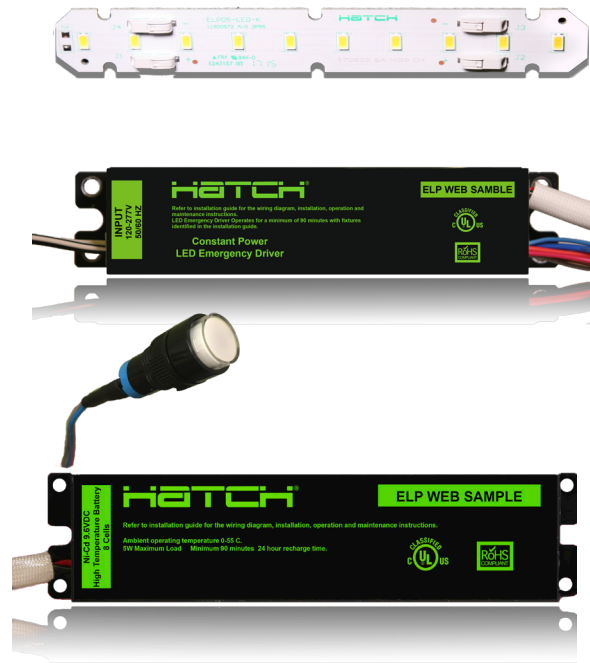


5W & 12W

Input Voltage	120-277VAC Nominal, 50/60Hz
Emergency Operation	90 Minutes
Battery	High Temp Nickel-Cadmium Maintenance-Free 9.6VDC, 8 Cell
Protections	Over Voltage Protection Over Current Protection Short Circuit Protection
Recharge Time	24 Hours

The LED Emergency Driver Kit from Hatch is UL Listed for **field or factory installation**. The Emergency driver allows any fixture to be used in emergency situations. In the event of a power failure, the LED Emergency driver is activated and operates the Hatch LED module for a minimum of 90 minutes.



Max Watts	Input Voltage	Output Voltage	Nominal Lumen Output	Hatch Part Number
4.6W	120 - 277 VAC	12 - 39 VDC	460 Lumens	ELP05-UNV-K-DP
10.6W	120 - 277 VAC	12 - 39 VDC	1060 Lumens	ELP12-UNV-K-DP

ENVIRONMENTAL SPECIFICATIONS

- Operating Temperature: 0 to 55°C
- Storage Temperature: -20 to 55°C
- Humidity: 5% to 95%
- Maximum Case Temperature: 90°C

WARRANTY:

5 years

APPLICATIONS:

- Emergency Lighting
- LED fixtures using AC input - constant current or constant voltage LED Driver
- LED fixtures using LED Tubes with internal drivers
- Fluorescent fixtures using a ballast
- Existing or new fixtures
- Used with grounded, UL Listed, damp location rated fixtures

FEATURES:

- Long Life High Temperature Recyclable Ni-Cad Battery
- Class 2 Output
- **Includes Test Switch and Charge Indicator Accessory Kit**
- For Use With Switched or Unswitched Fixtures
- Meets or Exceeds All National Electrical Code and Life Safety Code Emergency Lighting Requirements
- Suitable for Dry or Damp Locations
- UL Listed for field or factory installation with Hatch LED modules (ELP05-LED-K, ELP12-LED-K)
- Includes installation guide and luminaire modification label
- For use with surface mounts or recessed type IC or Non IC products listed to UL Standards

CERTIFICATIONS:



- UL 924
- FCC, 47CFR Part 15 (ANSI C63.4:2009 Class B)
- EN61000-3-2 (Harmonic Current Emissions Class C)

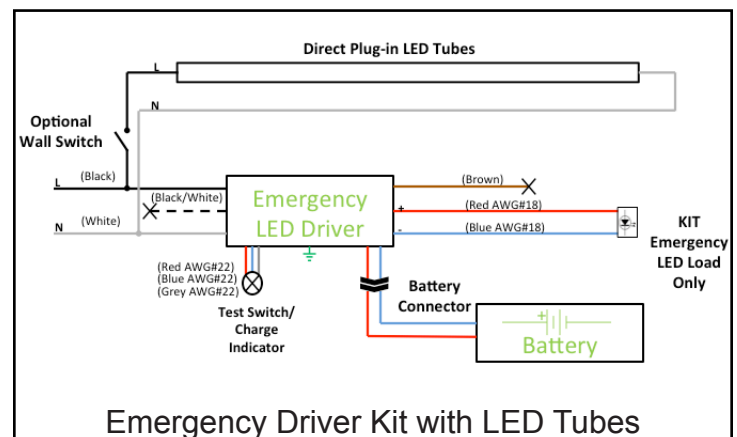
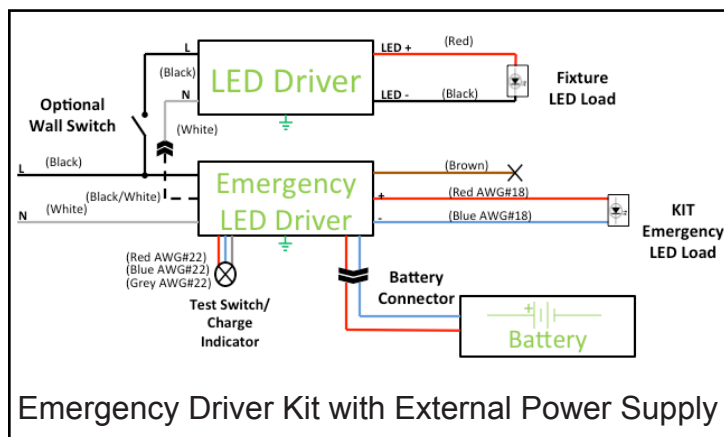
WIRING INFORMATION

Input:	12", Black (L), White (N) #18AWG
Output:	24", Red (+), Blue (-) #18AWG 24", Brown #20AWG
Battery Connection	24", Red, Black #18AWG
Test Switch Connections	24", Red, Blue, Grey #22AWG

PACKAGING INFORMATION

ELP05-UNV-K-DP	
Weight:	2.06 lbs
Quantity:	15pc/carton
ELP12-UNV-K-DP	
Weight:	2.80 lbs
Quantity:	15pc/carton

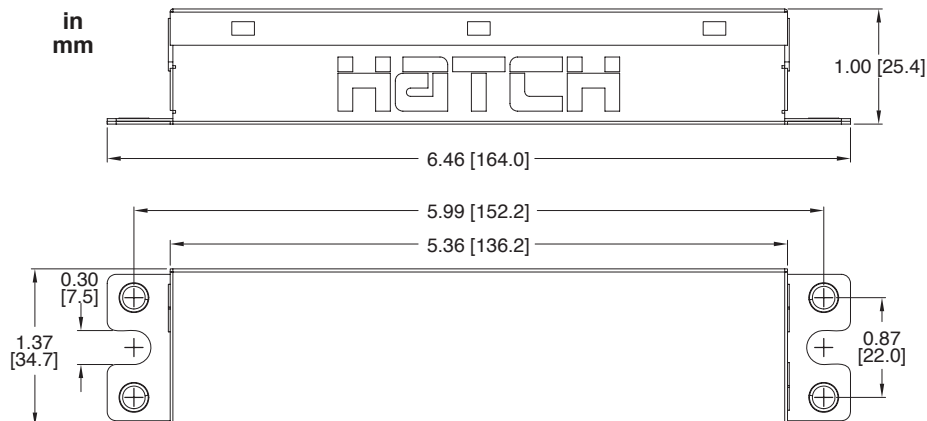
WIRING DIAGRAMS



For non-LED fixtures, please use “Emergency Driver Kit with External Power Supply” wiring diagram.

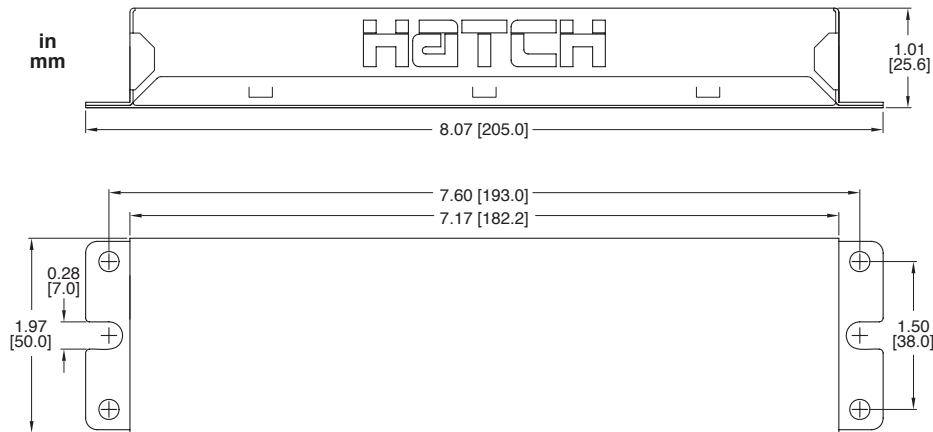
PHYSICAL DIMENSIONS (EMERGENCY LED DRIVER)

Length:	6.46" (164mm)
Width:	1.37" (35mm)
Height:	1.00" (25mm)
Mounting:	5.99" (152mm)



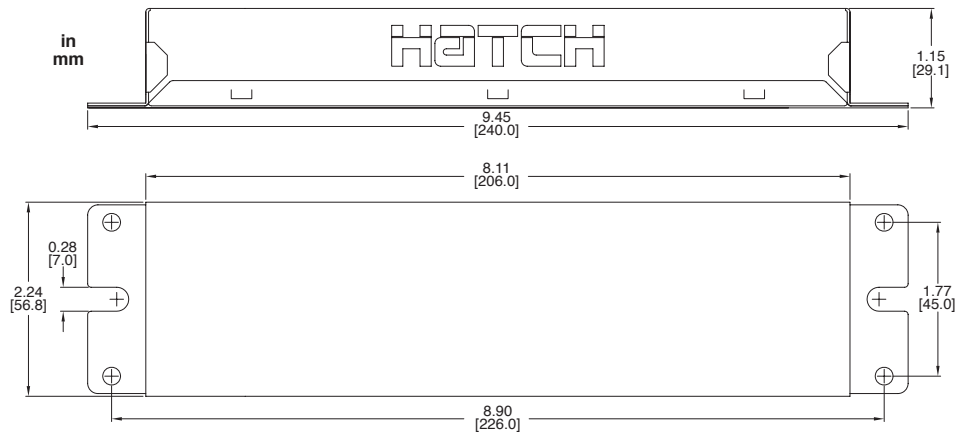
PHYSICAL DIMENSIONS (5W BATTERY)

Length:	8.07" (205mm)
Width:	1.97" (50mm)
Height:	1.01" (26mm)
Mounting:	7.60" (193mm)



PHYSICAL DIMENSIONS (12W BATTERY)

Length:	9.45" (240mm)
Width:	2.24" (57mm)
Height:	1.15" (29mm)
Mounting:	8.90" (226mm)



PHYSICAL DIMENSIONS (MODULES)

5W Module Length:	5.91" (150mm)
12W Module Length:	8.66" (220mm)
Width:	0.91" (23mm)

