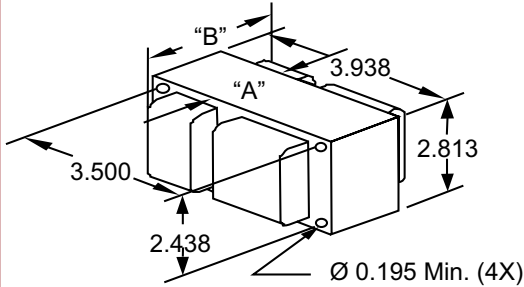
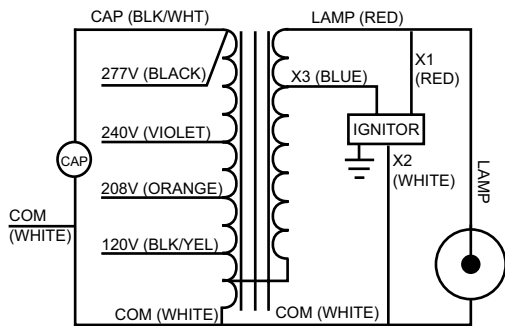


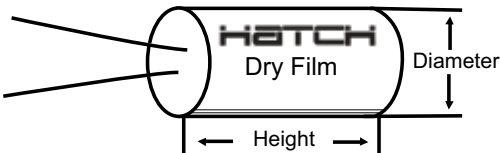
PHYSICAL DIMENSIONS



WIRING DIAGRAM



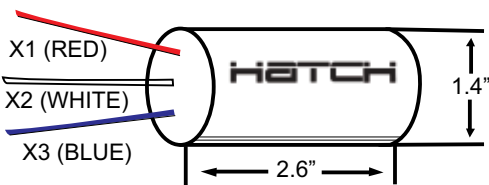
CAPACITOR



Diameter: 1.38"

Height: 3.17"

IGNITOR



Pulse Height (kV): 2.5 ~ 4.0

 Pulse Width ($\geq \mu\text{s}$): 1.0 @ 2.3kV


**2 YEAR WARRANTY FROM
DATE OF MANUFACTURE**

MAGNETIC HID BALLAST

Ballast Type	High Pressure Sodium	Circuit Type	HX-HPF
Lamp	150W S55	Frequency	60Hz

ELECTRICAL SPECIFICATIONS

Input Voltage (V)		Quad Tap			
		120	208	240	277
Line Current (A)	Operating	1.6	0.9	0.8	0.7
	Open Circuit	3.0	1.7	1.5	1.3
	Starting	1.6	0.9	0.8	0.7
Recommended Fuse		5	3	3	3
Input Voltage At Lamp Dropout		85	140	160	185
UL Class H 180°C Temp. Code		D	C	B	B
UL Class N 200°C Temp. Code		A	A	A	A
Nom. Open Circuit Voltage		121			
Input Power (W)		182			
Power Factor (\geq %)		90			
Regulation (\pm %)	Line Volts	5			
	Lamp Watts	10			
Min. Starting Temp		-40°F / -40°C			
Ballast Dimensions (inches)	A	2.56			
	B	4.05			
Ballast Net Weight (lbs)		7.4			
Lead Length (inches)		12			
Capacitor	Capacitance (μF)	14			
	Min VAC Rating (V)	280			
Requires Ignitor Model		GHPSR1			
Coil Material (Pri/ Sec.)		Cu / Al			

60 HZ. TEST PROCEDURES

Short Circuit Current (A)	Secondary	Min	3.5			
		Max	5.4			
Open Circuit Voltage (V)	Input	Min	0.8	0.5	0.4	0.3
		Max	2.3	1.4	1.1	1.0
High Potential Test (V)	1 Minute	1600				
	1 Second	1900				

REFERENCE LAMP DATA

	Test Range	ANSI Standard
Starting Current (A)		3.5 ~ 5.4
CCF	1.6	≤ 1.8
OCV (V)	110 ~ 140	
Lamp Watts	WITHIN TRAPEZOID	

OPTIONAL FEATURES

(ADD SUFFIX FOR OPTIONS)

-WB	With welded bracket
-I	With ignitor
-DC	With dry film capacitor
-OC	With oil filled capacitor
-K	With distributor replacement kit (includes bracket, capacitor and ignitor as necessary)